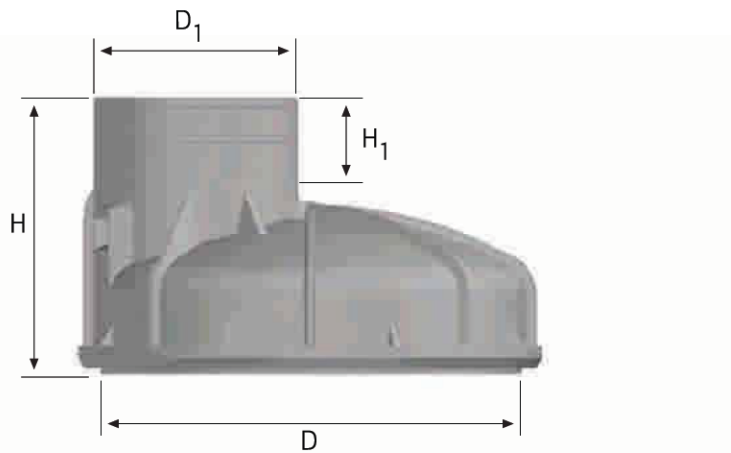
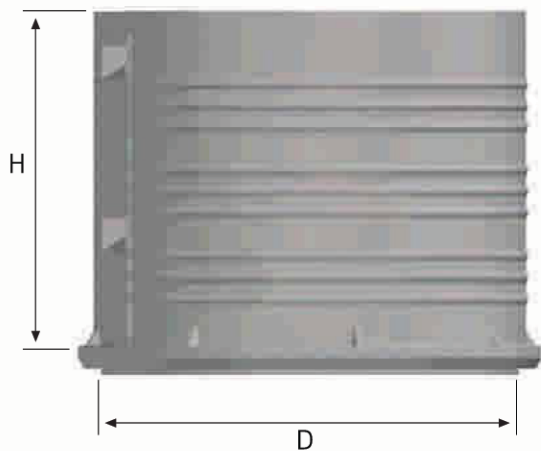


Round Based Inspection Chambers and Sizing Matrix



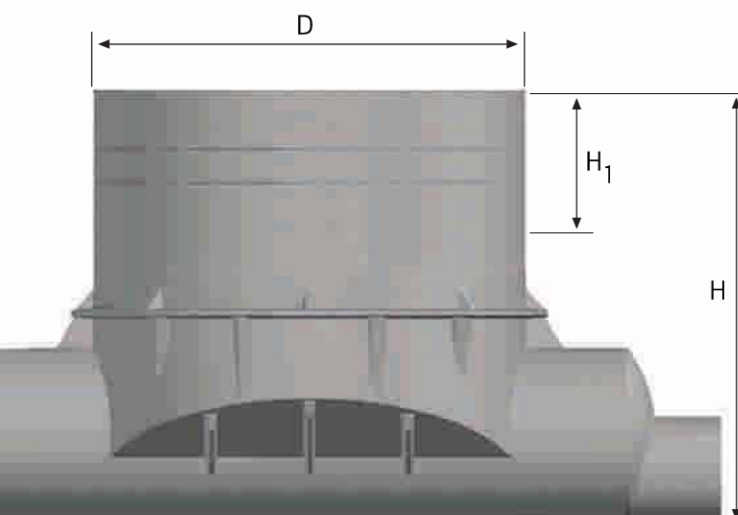
CONICAL TOP PART

	DN 800	DN 1000	DN 1250
D1 (mm)	600	600	600
D (mm)	800	1000	1250
H (mm)	500	750	750
	700	1000	1000
H1 (mm)	150	250	250



BODY

	DN 800	DN 1000	DN 1250
D (mm)	800	1000	1250
H (mm)	500	500	500
	1000	1000	1000



BASE - FLAT MEMBER

	DN 800	DN 1000	DN 1250
D (mm)	850	1055	1305
H	800	750	1235
		1000	
H1 (mm)	290	290	530
Inlet-Outlet Diameter Range	ID200	ID200	ID200
	ID300	ID300	ID300
		ID400	ID400
		ID500	ID500

H₁: Section which can be cut for height adjustment during application.